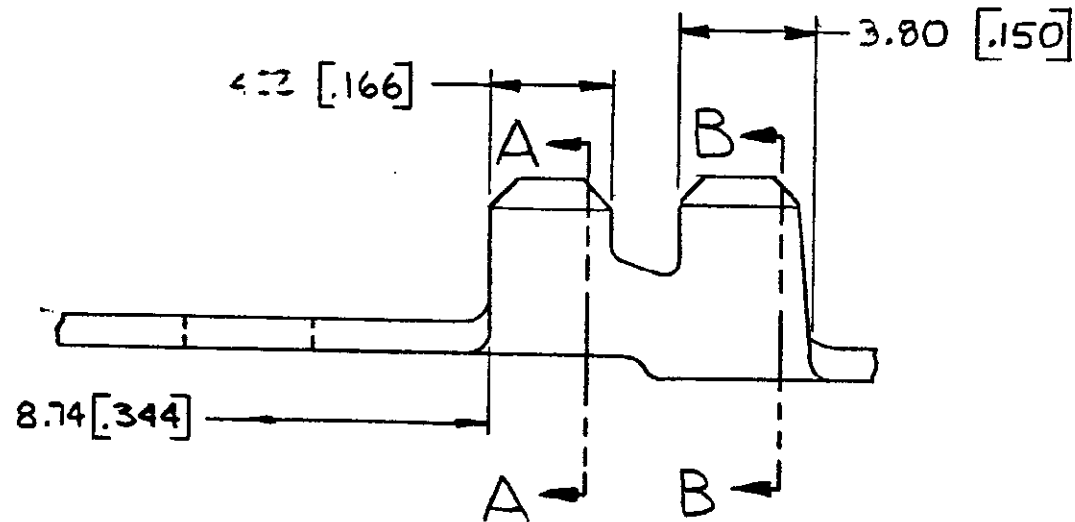
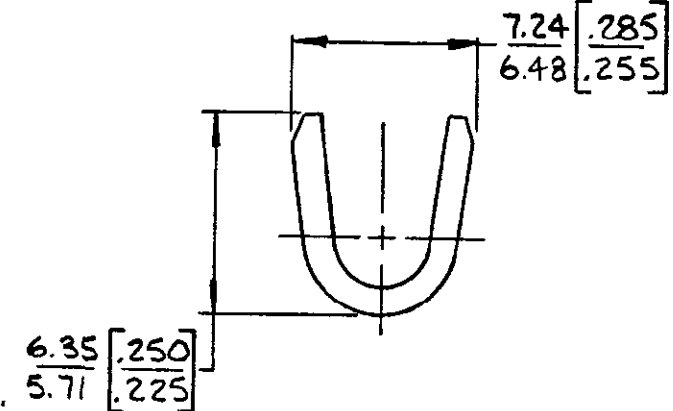
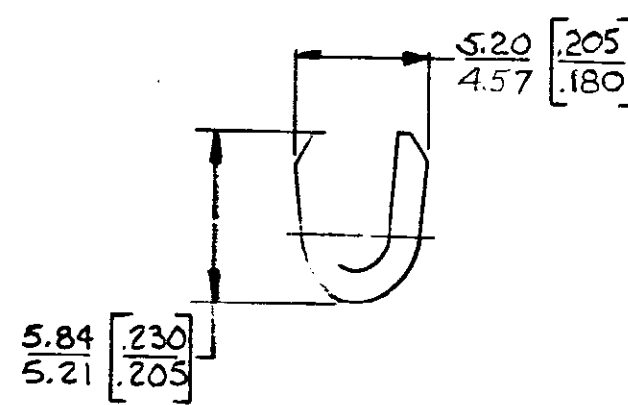
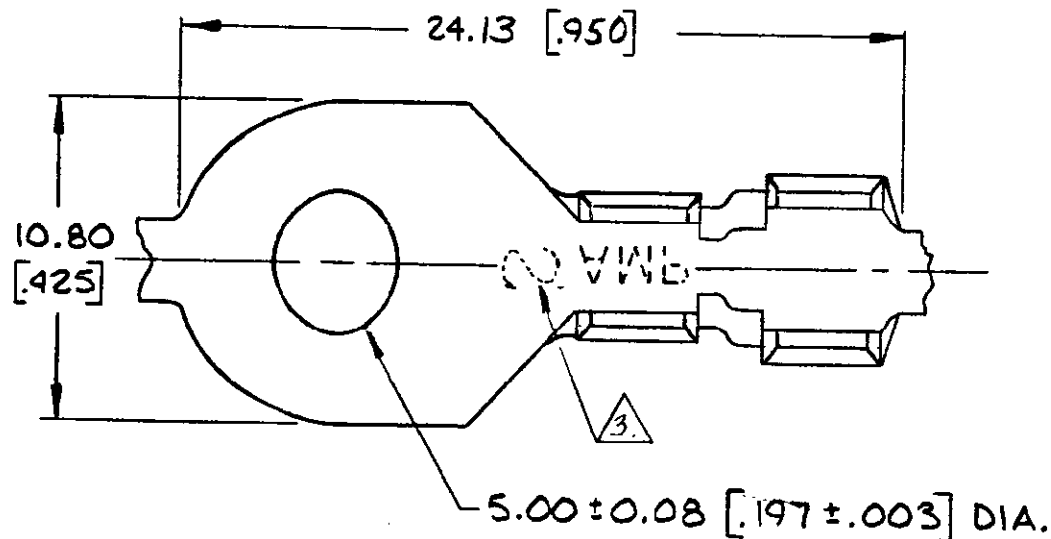


© COPYRIGHT 1964 BY AMP INCORPORATED, HARRISBURG, PA.
ALL INTERNATIONAL RIGHTS RESERVED. AMP INCORPORATED PRODUCTS
COVERED BY U. S. AND FOREIGN PATENTS AND/OR PATENTS PENDING.

REVISIONS				
ZONE	LTR	DESCRIPTION	DATE	APPROVED
F		REDRAWN & REVISED A-3943	6-13-78	KFS / SS
R		ADDED PART NO 60485-4 TTI	10/16/78	GY/RPF
S		OBSOLETE 60485-4 PER A-5193	12-22-81	CS/GY
T		Revised AF 1752	3-31-86	RPF/GY
U		REV. INSUL. BARREL AF-2280	1-7-87	MSF/GY
V		REV PER AF-6785	7/5/90	PMF/CP
W		REV PER AF-8047	7/21/92	PMF/GY
Y		REV PER 0710-0137-96	10/10/96	PMF/GY



- CONTINUOUS STEP ON REELS
 - DIMENSIONS IN BRACKETS ARE IN INCHES
- △ IS TO BE STAMPED ON PART 60485-4

OBSOLETE

#10	20-33mm ² [14-13]	3.81 - 5.33 [.150 - .210]	NICKEL	0.76 [.030]	STEEL	60485-4 △
			NONE	0.76 [.030]	BRASS	60485-3
			NICKEL	0.76 [.030]	STEEL	60485-2
			TIN	0.76 [.030]	BRASS	60485-1
STUD SIZE	WIRE RANGE	INSULATION RANGE	FINISH	MATERIAL	PART NO	
UNLESS OTHERWISE SPECIFIED DIMENSIONS ARE IN MILLIMETERS TOLERANCES ON DECIMALS ± 0.38 [0.015] ANGLES ±			CONTRACT NO K. Schneider 6-13-78 K. Schaffhausen 7/29/78		AMP INCORPORATED Harrisburg, Pa.	
MATERIAL SEE TABLE			SIGN APPD R.P. Flantz 8-10-78 G. Zinke 8-10-78		NAME RING	
FINISH SEE TABLE			OTHER APPD		SIZE B	CODE IDENT NO 00779
					DRAWING NO 60485	
					SCALE	SHEET